

## Flange vibration dampers

bidirectional isolation, rubber and steel

### FLANGE BODY

Blue coated aluminium NITROVER RAL 5010.

### THREADED BOSS

Black coated steel.

### VIBRATION-DAMPER BODY

NBR rubber.

Hardness 30, 50, 60 Shore A  $\pm 5$ .

### FEATURES AND APPLICATIONS

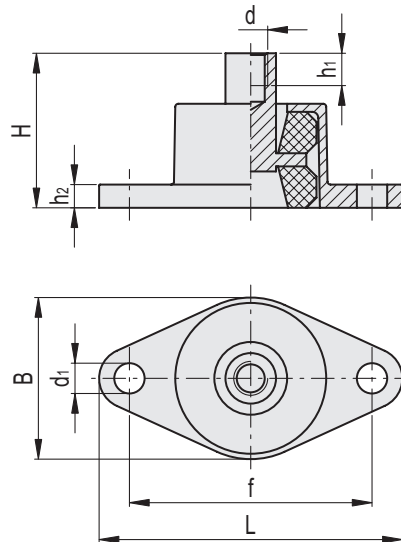
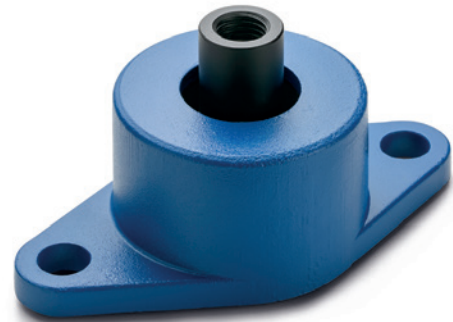
They are generally used for isolating strong vibrations, where resistance to tension and compression is required.

Vibrations can cause:

- malfunctioning and reduction of the machine lifespan and/or of the adjacent ones;
- damage to health;
- noise.

They are particularly suitable for use with machine tools, presses for moulding plastic materials, special machines and shock absorption.

See High performance vibration dampers - Features and guidelines for the choice (on page -).



Code	Description	B	L	H	d	d1	h1	h2	f	Min. load [N]	Max. load [N]	Min. deflection [mm]	Max. deflection [mm]	Shore A	
480181	AVG-30	80	150	75	M16	15	16	10	120	700	2700	3	6.5	30	650
480183	AVG-50	80	150	75	M16	15	16	10	120	1200	4500	3	6.5	50	650
480185	AVG-60	80	150	75	M16	15	16	10	120	1400	6000	3	6.5	60	650

The min. load is the value below which the vibration damper is not able to isolate the vibrations as it would be too rigid.

The max load is the value beyond which some type of failure may occur compromising the functionality of the vibration damper.

The min.deflection is the compression of the vibration-damping support corresponding to the min. load.

The max.deflection is the compression of the vibration-damping support corresponding to the max. load.